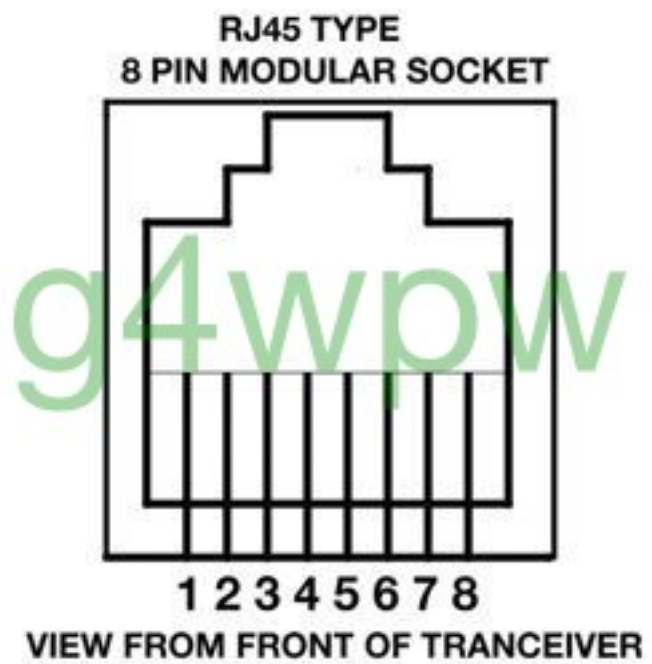
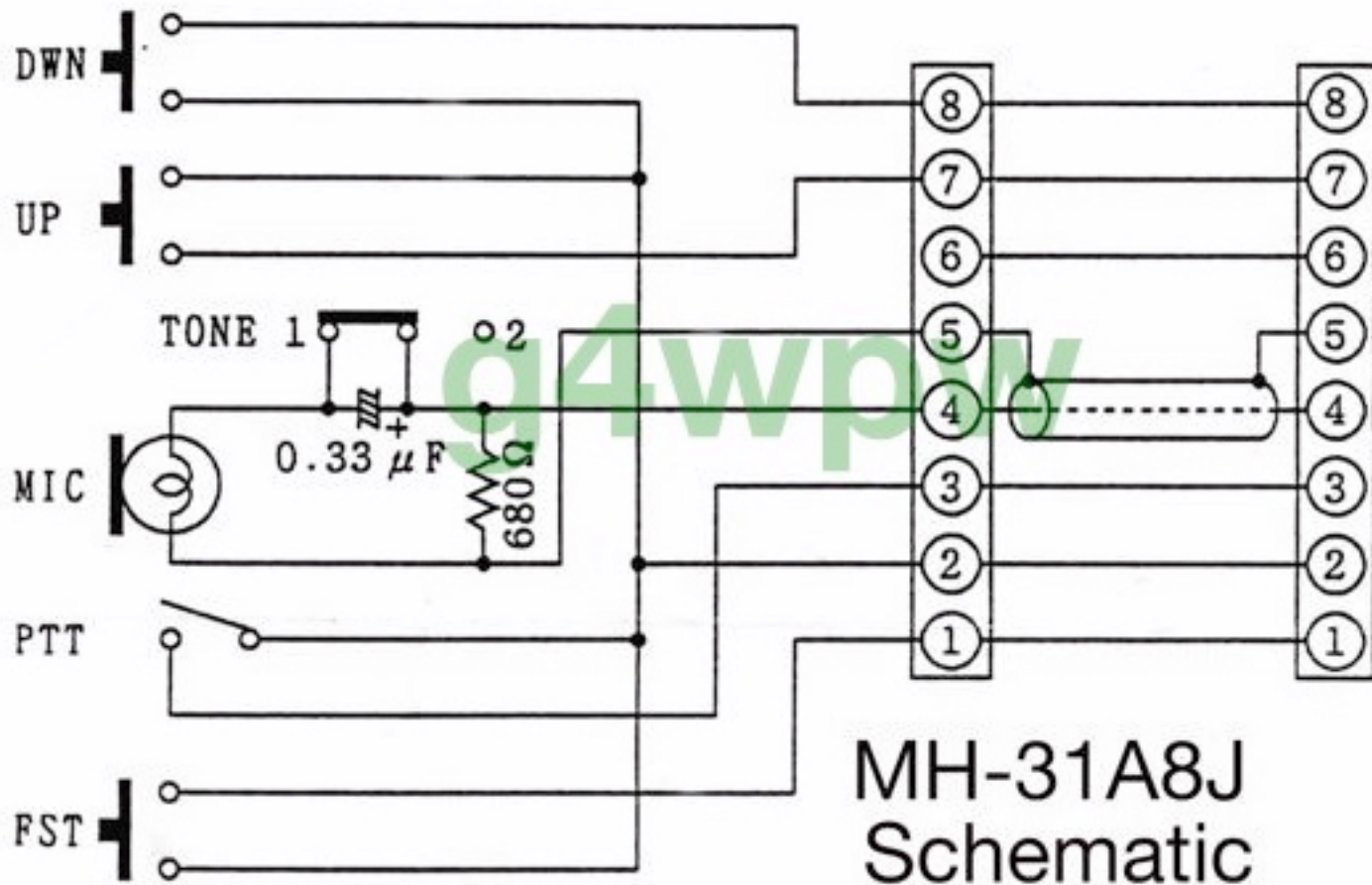


# YAESU MH-31 A8J MICROPHONE.



diagrams g4wpw





MH-31A8J  
Schematic

- |       |                       |
|-------|-----------------------|
| PIN 1 | FAST SCAN. ( red )    |
| PIN 2 | GROUND. ( brown )     |
| PIN 3 | PTT. ( yellow )       |
| PIN 4 | MIC. ( white )        |
| PIN 5 | MIC GROUND. ( black ) |
| PIN 6 | + 5 VOLTS. ( green )  |
| PIN 7 | UP. ( blue )          |
| PIN 8 | DOWN. ( black )       |